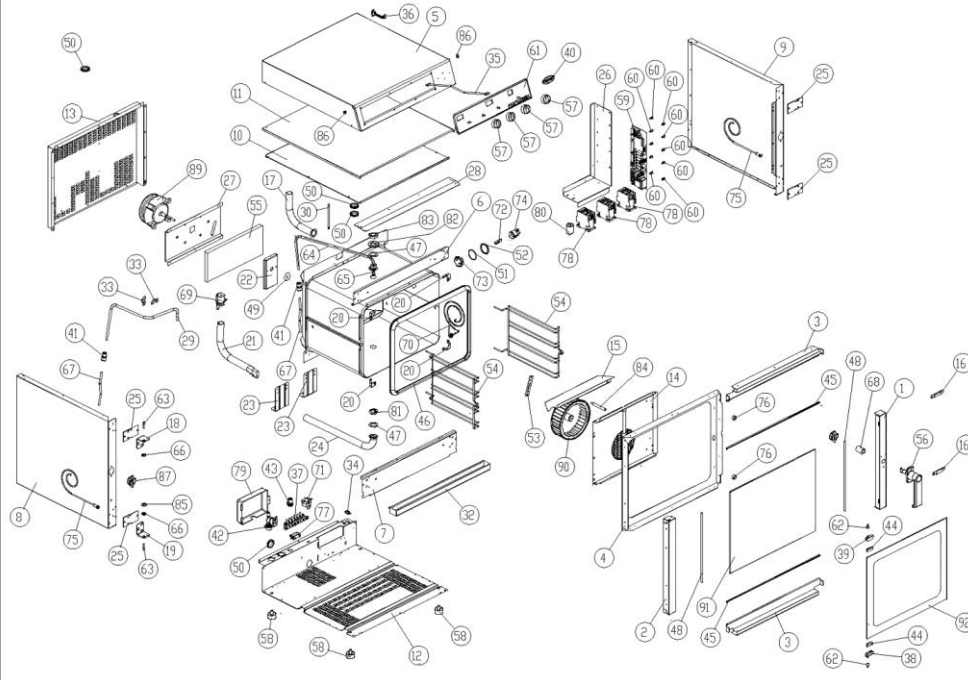


MOD: XBT146

EXPLODED VIEW DISEGNO ESPLOSO



LEGEND - LEGENDA

1	0B1035A1	56	MG1000A0
2	0B1090A0	57	MN121A
3	0B1080A0	58	PD061A
4	0B1085A0	59	PE1010B1
5	0D1155A1	60	PE102
6	0D1160A0	61	PE150A0
7	0D1161B0	62	RC1000B0
8	0D1165B0	63	RC1110A0
9	0D1166B0	64	RC1136A0
10	0D1170A0	65	RC1145A0
11	0D1180A0	66	RC540
12	0E1035B0	67	TR255B
13	0F1045B0	68	TR1005A0
14	0G1035A0	69	VE1135A0
15	0G1090B0	70	TR1005A2
16	2H022	71	TR255B
17	0H1015A0	72	VE1005A1
18	0H1020A0	73	VE1010A0
19	0H1021A0	74	VE1015A0
20	0H1040A0	75	VE1020A0
21	0H1050A1	76	VE1030A1
22	0H1060A0	77	VE1075A0
23	0H1065A0	78	VE1095A0
24	0H1075A0	79	VE1000A0
25	0H1140A2	80	VE221
26	0H1375A0	81	VM100A2
27	0H1380A0	82	VM1025A0
28	0H1400A1	83	VM1245A0
29	0H1500A0	84	VM1510A0
30	0H1505A0	85	VM1524
31	0H1505A0	86	VM1003A0
32	0M1015A1	87	VM1005A0
33	2H070	88	VM1000B0
34	CE1140A0	89	VM1002B0
35	CE1240A0	90	VM1025A0
36	CE1245A0	91	VM1035A0
37	CE212	92	VT1036A0
38	CR045		
39	CR046		
40	ED1070A0		
41	EL1055A0		
42	EL1155A0		
43	EL1125A0		
44	GN006A		
45	GN100		
46	GN1000B0		
47	GN1010A0		
48	GN102		
49	GN1140A0		
50	GN1055A0		
51	GN1055A0		
52	GN1065A0		
53	GN224		
54	GR1085A0		
55	LV1115A0		

23/05/2005

serial number: 60

1 / 2

MOD: XBT146

EXPLODED VIEW DISEGNO ESPLOSO



DESCRIZIONE CODICI

1	0B1035A1	COLONNINA LATERALE DIK INOX XBT146 XVS1303
2	0B1090A0	COLONNINA LATERALE INOX XBT146 XVT
3	0B1080A0	LORELLI SUPER INF. PORTA
4	0B1085A0	PORTA IN XBT146
5	0D1155A1	CORRENDOIO CRUSCOTTO INOX XBT146
6	0D1160A0	PROFILO SUPPORTO FACCIOMA XBT146
7	0D1161B0	PROFILO PORTA/SCARICA XBT146
8	0D1165B0	FANFO SX XVT0203
9	0D1166B0	FANFO DX XVT0203
10	0D1170A0	DENSORE MUFFOLA CRUSCOTTO XBT146
11	0D1180A0	DENSORE COPRIFASCIA PANNELLO DI CONTROLLO XBT146
12	0E1035B0	FRANCO SOSTEGNO XBT146
13	0F1045B0	SOHENA XBT146
14	0G1035A0	CARRIER ARIA XBT146
15	0G1090B0	DISTANZIALE CARRIER ARIA INOX XBT146
16	2H022	LAMPADA TERMO PORTA FREDDA LAMARO
17	0H1015A0	CAMMINO FLUM INOX STANDARD
18	0H1020A0	SMERFA SUP. SUPPORTO PORTA
19	0H1021A0	SMERFA INFERIORE SUP. PORTA
20	0H1040A0	ANGOLO INOX SACCO/CA MUFFOLA STAND
21	0H1050A1	RUBO VENTURI STANDARD
22	0H1060A0	NUOVO SOSTEGNO PREDISPOSTO INCAICAO
23	0H1065A0	NUOVO SOSTEGNO MUFFOLA STANDARD
24	0H1075A0	RUBO SCARICO INOX ø30x1,5 SERIE XV
25	0H1140A2	CONTROFASCIA PORTA XBT146
26	0H1375A0	LAMPADA FORNACIA/PORTINELLI XBT146
27	0H1380A0	PROF. SOSTEGNO MOTORI XBT146
28	0H1400A1	ALTEA/PROTEGGI CALORE XBT146
29	0H1500A0	RUBO ESTER LAMBARO NUOVA LINEA STAND
30	0H1505A0	RUBO COPRI RUBO TERMO/STAND DI SIC
31	0M1015A1	CASSETTO SOTTO/SCARICO XBT146
32	2H070	PROFILO TERMO RUBO LAMBARO LAMBARO
33	CE1140A0	CAVO COLLEGAMENTO BORDO MACCHINA BUS485
34	CE1240A0	CAVO COL. SCHEDE FOR CONN. 4 FILI VERSO 2003 UL CSA CON F
35	CE1245A0	CAVO COL. SCHEDE CONN. DIFFER. 220V 2003 UL CSA L
36	CE212	PROTEGGE SOTTO/TERMO INOX XBT146
37	CR045	CERN SX INOX XBT146
38	CR046	CERN SX INOX XBT146
40	ED1070A0	ELETTRONICA INOX GLIDE 78x33 ARGENTO CON BORDO EST
41	EL1055A0	PIEDISTALLI DI DA CANTO DA PREDISPOSTE
42	EL1155A0	ELETTRONICA INT. INOX INCORPORATO CON RID. ROSSO TARA
43	EL1125A0	PASSAPARETE 08
44	GN006A	QUARNI PORTA FREDDA ALBANO. PFEI CAR/CAR.55p/1mm
45	GN100	PROFILO PORTA IN NERO P346 XT
46	GN1000B0	QUARNIQUONE INOX 50 SUP. PORTA XBT146 XVT
47	GN1010A0	QUARNI PFEI-CAR. NUOVO SCARICO ø42x28.5x2
48	GN102	PROFILO PORTA IN NERO C12 XT
49	GN1140A0	QUARNIQUONE PORTA/SCARICO STAMP. ALBERO MOE. D10 XBT-X
50	GN1045A0	QUARNI ANTIMER. CANNI-SCARICO ø31-ø30.9-9-5p/7.5
51	GN1055A0	QUARNI ANTIMER. CANNI-SCARICO ø31-ø30.9-9-5p/7.5
52	GN1055A0	QUARNI ANTIMER. CANNI-SCARICO ø31-ø30.9-9-5p/7.5
53	GN224	QUARNI PFEI-CAR. 100x22x40.8p-c/for 1999
54	GR1085A0	GRIGLIA LATERALE DIK/INOX 4RG PASTICCERIA
55	LV1115A0	LAMA DI VETRO COIBENTAZIONE PORTA/MOTORI

DESCRIZIONE CODICI

56	MG1000A0	NUOVA MANIGLIA STANDARD
57	MN121A	MANIGLIA CON RITEGNO NERO ESPANSIBILE 04
58	PD061A	PEDINO 60x24x5 H400 NERO OSMO
59	PE1010B1	SCHEDE DI POTENZA LINEA PROFESSIONAL VER. 2003 NET
60	PE102	SUPPORTO PER SCHEDE 2-PORTIN
61	PE150A0	CONTROLO GRIGLI COMPLETO VER. 2003 PAST
62	RC1000B0	BOTTIGLIA INOX SUP. VETRO STANDARD
63	RC1110A0	PERNO RILEVATO RUBO PORTA SERIE PLUS
64	RC1136A0	BACC. PORTA GRANITE CON RUBO Ø117x100 SALDATO
65	RC1145A0	VITE CHIUSURA TORO PORTA GRANITE
66	RC540	BOTTIGLIA BRONZO SMERFA SUP. PORTA XVS01
67	TR255B	RUBO VET. 230x25.5 BRASS/PANATE
68	TR1005A0	RUBO IN NERO 27x17 55x45 5x
69	VE1135A0	ATTUATORE VENTURI 220V 50/60 Hz SERIE 2
70	TR1005A2	SONDA DI TEMP. CON PASSAPARETE DOPPIA SALD. ARGENT
71	TR255B	BRASS/BRONZ. SIC. -LAMP. 3.30°C BY 9H Lx1300mm
72	VE1005A1	LAMPADA ALCOGENA 40W
73	VE1010A0	VETRO PORTA/LAMPADA VAPORE 2002
74	VE1015A0	PORTA LAMPADA PER LAMPADA ALCOGENA
75	VE1020A0	MICROINTERRUTTORE PORTA MAGNETICO
76	VE1030A1	CALAMITE 2x22x11mm PER MICROPORTA
77	VE1075A0	PRESSACAVO FV 2x8 RD
78	VE1095A0	RELEUTORE GE 25A 230V 50/60 Hz CUBO/0008
79	VE1000A0	SCARICA COPRI MORSITESTERIE SERIE PLUS
80	VE221	CONDENS. ICAR PFEI SUP. 450V FABRON
81	VM100A2	SAPO PREDISPOSTO PER NUOVO SCARICO
82	VM1245A0	RONDELLA PANNA SENZ'ALF INOX
83	VM1245A0	DADO 3/4" HARD INOX FISSAGGIO PORTA GRANITE
84	VM1510A0	PERNO RILEVATO INOX ANA DISE. CARRIER ARIA
85	MS24	RONDELLA INOX
86	VM1025A0	SAPO INOX FINALE IN Ø30x0.816
87	VM1030A0	SCROCCO MANIGLIA M03000A0
88	VM1000B0	MOTORI COND. SUP. 2000V ALB. M8 CONN. 5 POLI
89	VM1025A0	MENSOLE BRN. H88. 38 PALE DADO M8
90	VM1025A0	MENSOLE BRN. H88. 38 PALE DADO M8
91	VT1035A0	VETRO INT. 520x436x46 PTL XBT146
92	VT1036A0	VETRO EST. ØVALLO 520x436x46 PTL XBT146

DESCRIPTION

1	0B1035A1	STAINLESS STEEL DOOR RIGHT LATERAL COLUMN XBT146 XVS1303
2	0B1090A0	NEW STANDARD HANDLE
3	0B1080A0	KNOB WITH NON EXPANSIBLE INOX 04
4	0B1085A0	SMALL FOOT M10x34x5 H400 BLACK GRANITE
5	0D1155A1	PROFESSIONAL POWER CARD VER. 2003 NET
6	0D1160A0	SUPPORT FOR CARD 2-PORTIN
7	0D1161B0	COMPLETE HORIZONTAL BRASS/FLUM/BAFFER FOR CONTROL VER. 2
8	0D1165B0	INS-BOTTLE INOX SUP. VETRO STANDARD
9	0D1166B0	INS-BOTTLE INOX SUP. VETRO STANDARD
10	0D1170A0	RC1110A0
11	0D1180A0	RC1136A0
12	0E1035B0	RC1145A0
13	0F1045B0	RC540
14	0G1035A0	TR255B
15	0G1090B0	TR1005A0
16	2H022	TR255B
17	0H1015A0	WASHED METAL HOLDER FOR COOL DOOR
18	0H1020A0	STANDARD STAINLESS STEEL FLUM CHIMNEY
19	0H1021A0	UPPER BRACKET TO HOLD THE DOOR
20	0H1040A0	LOWER BRACKET TO HOLD THE DOOR
21	0H1050A1	STAINLESS STEEL STANDARD CORNER OF FRONT PART OF CAVITY
22	0H1060A0	STANDARD VITRO TUBE
23	0H1065A0	NEW ZNCO SUPPORT TO PUSH MOTOR
24	0H1075A0	NEW STANDARD CAVITY SUPPORT
25	0H1140A2	DOOR COUNTER/RUBO XBT146 XVT
26	0H1375A0	BRASS/BRONZ. SMERFA SUP. PORTA XVS01
27	0H1380A0	INS-BOTTLE INOX SUP. VETRO STANDARD
28	0H1400A1	EXTERNAL HUMIDITY TUBE NEW LINE STAND
29	0H1500A0	INS-BOTTLE INOX SUP. VETRO STANDARD DI SIC
30	0H1505A0	INS-BOTTLE INOX SUP. VETRO STANDARD DI SIC
31	0M1015A1	TERMINAL BOARD
32	2H070	WASHED PROFILE TO HOLD HUMIDITY FLUME
33	CE1140A0	CONNECTION CABLE BUS 485
34	CE1240A0	CABLE TO CONNECT POWER-CONTROL CARD 4W. VERS. 2003 UL
35	CE1245A0	CABLE TO CONNECT CARD-CONNECTOR DB9/RS232C VERS. 03 U
36	CE212	TERMINAL BOARD
37	CR045	RIGHT STAINLESS STEEL HINGE XBT146
38	CR046	LEFT STAINLESS STEEL HINGE XBT146
40	ED1070A0	LINEX OPTICAL STICKER 78x33-SILVER WITH EXTERNAL FRAME
41	EL1055A0	1/2" REDUCER FROM CANTO TO DA PREDISPOSTE
42	EL1155A0	WASHER SINGLE ELECTRONIC XBT146 CONN. INOX IN RED CAL. R
43	EL1125A0	WALL PASSING SEAL 08
44	GN006A	COLD DOOR SEAL PFEI CAR/CAR. Thickness=1mm
45	GN100	DOOR BLACK SEAL P346 XT
46	GN1000B0	BLACK DOOR SEAL 50 SUP. PORTA XBT146 XVT
47	GN1010A0	SEAL PFEI-CAR. NEW DESIGN ø42x28.5x2
48	GN102	BLACK SILICON DOOR PROFILE C12 XT
49	GN1140A0	MOTOR GASKET
50	GN1045A0	ANTIVIBR. SEAL FOR 50-VALVE CHIMNEY ø31-ø30.9-9-5p/7.5
51	GN1055A0	OR-HARD 100x70 70 810
52	GN1055A0	SEAL FOR LAMP GLASS COVER FEBI VIRCON PFEI ø34x44x4
53	GN224	PFEI-CAR. 100x22x40.8p-c/for 1999 GASKET
54	GR1085A0	
55	LV1115A0	

23/05/2005

serial number: 60

2 / 2